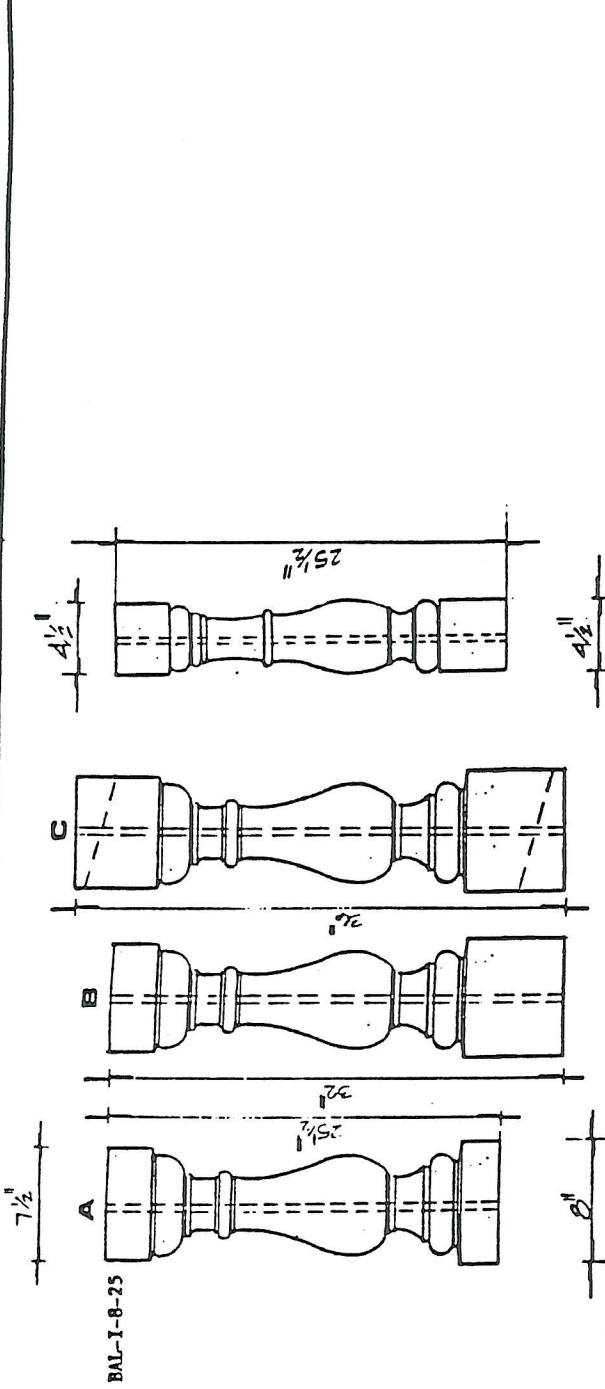


**SPINDLE** Shop D-409 Specifications

CALIFORNIA PRECAST STONE INC.



A.- STANDARD RAIL AND BASE INSTALLATION  
 B.- LEGAL INSTALLATION WITH OUT USING BASE (D-413)  
 C.- BALUSTER CAST TO CUT FOR STAIR CONDITION OR  
 42" LEGAL APPLICATION

